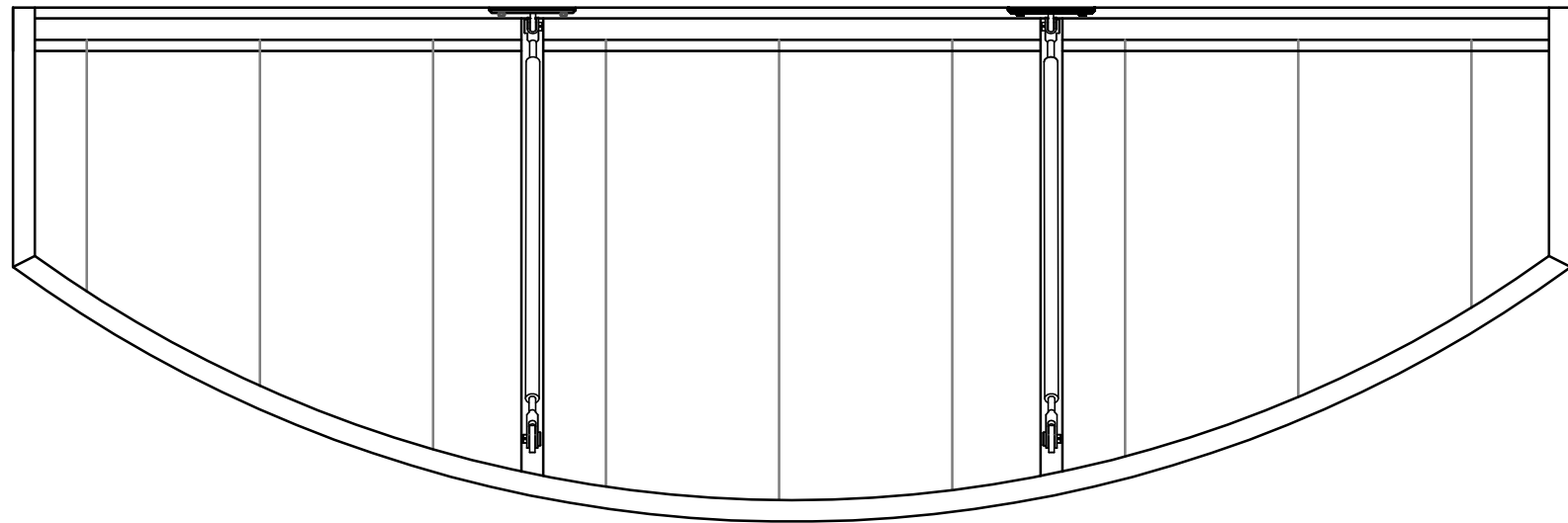




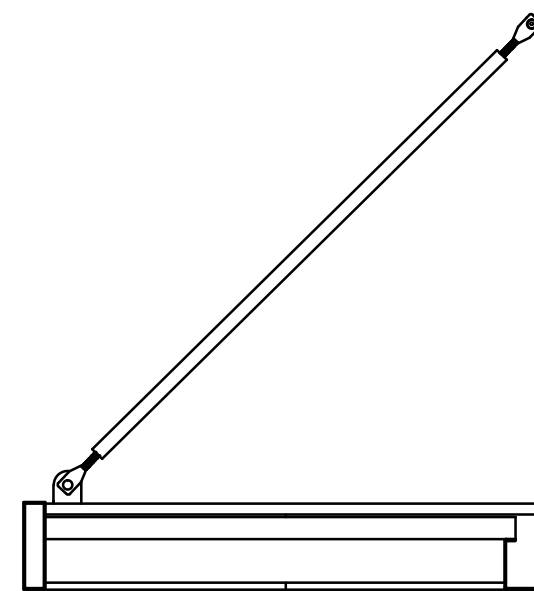
SKYSCAPE
ARCHITECTURAL CANOPIES

The drawing is the property of SKYSCAPE. It is not to be copied or reproduced in whole or part. It is specifically identified herein & is not to be used on any other project. It is to be returned upon request.

SKYSCAPE®
ARCHITECTURAL CANOPIES
2885 NORTH BERKELEY LAKE ROAD, NW
SUITE 14, DULUTH, GEORGIA 30096
PHONE(770) 232-3033



HANGER-SUPPORTED
CURVED



SECTION

REVISION # DATE:

SHEET NO.